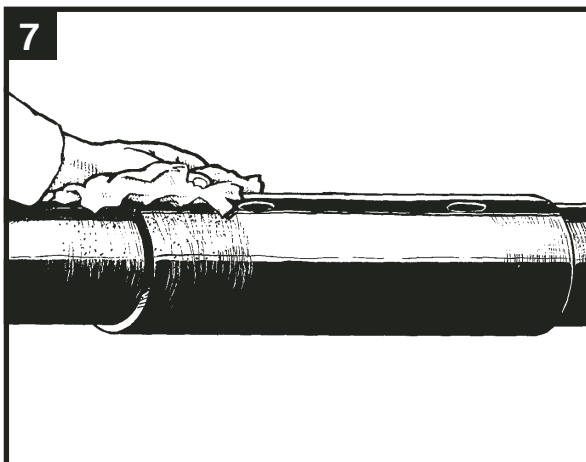
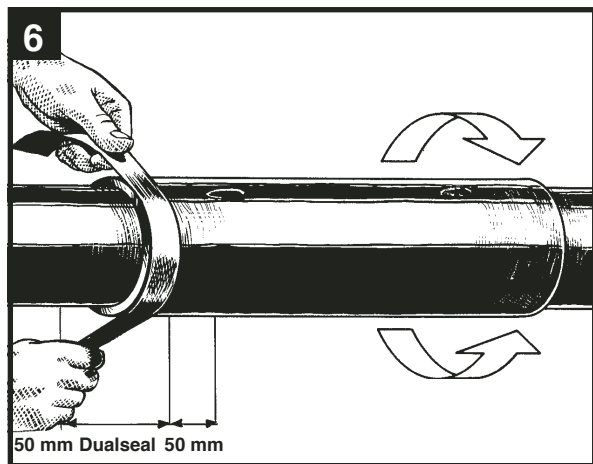
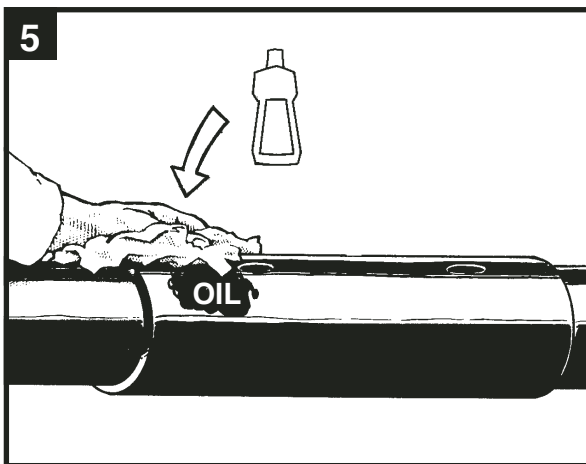
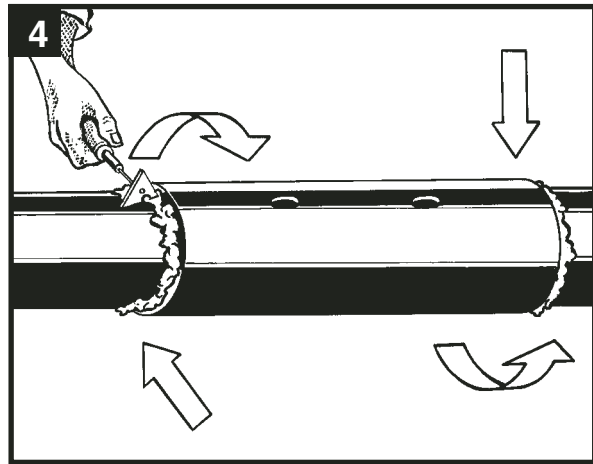
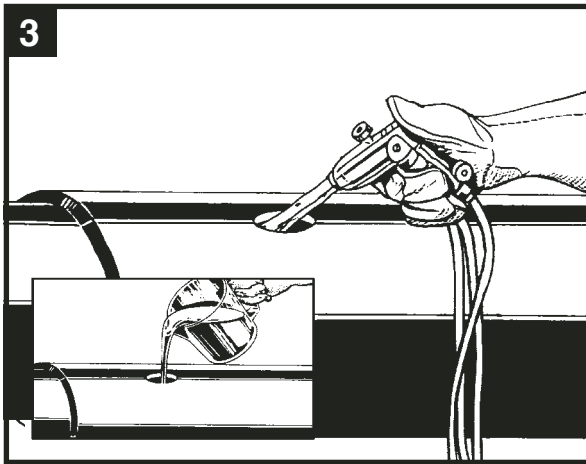
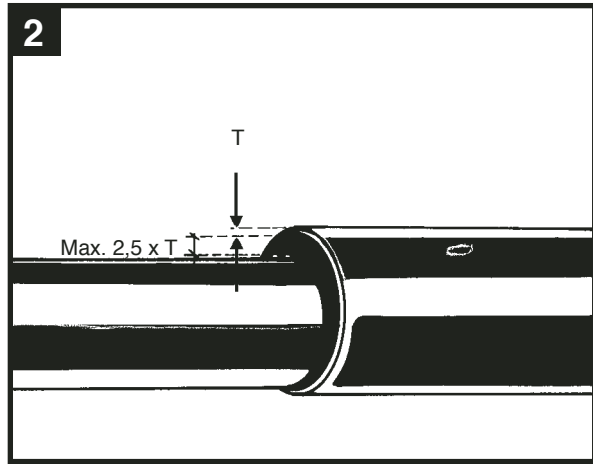
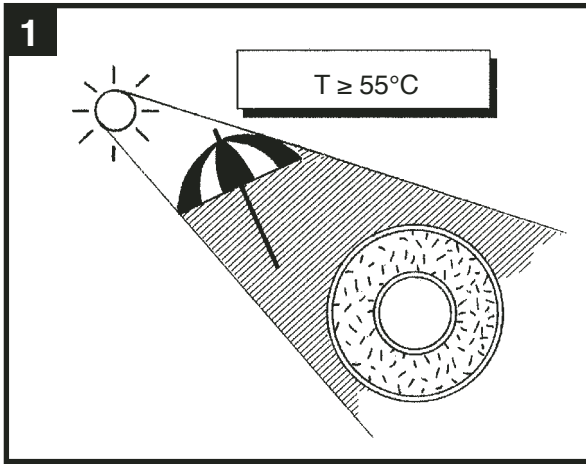




# DualSeal III 190, 255, 320, 430 WPCP IV



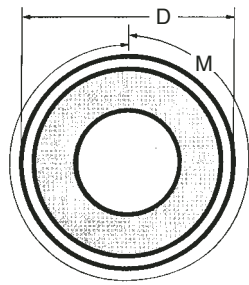
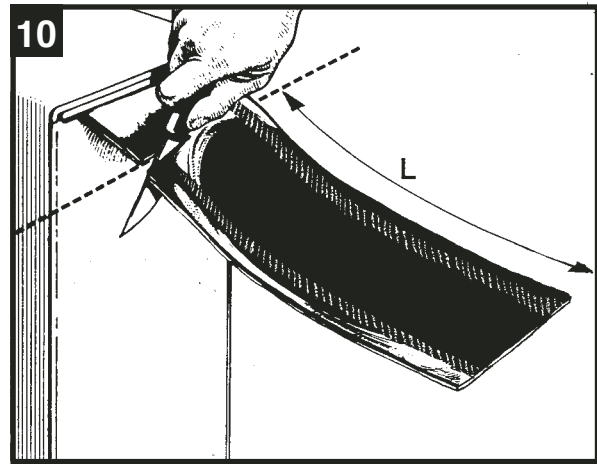
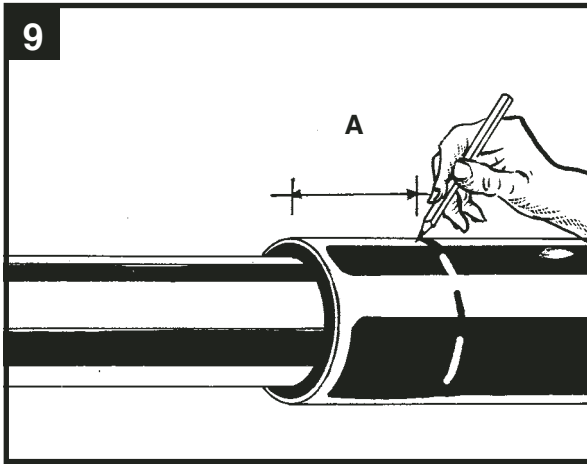
**8**

NOMINAL PIPE OD	DualSeal width	WPCP IV	A
90 mm - 250 mm	DualSeal 190	100 x 190	100
280 mm - 500 mm	DualSeal 255	100 x 255	132
560 mm - 1200 mm	DualSeal 320	150 x 320	170

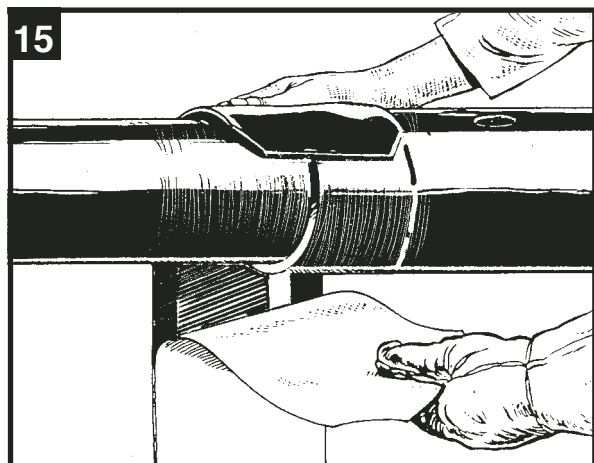
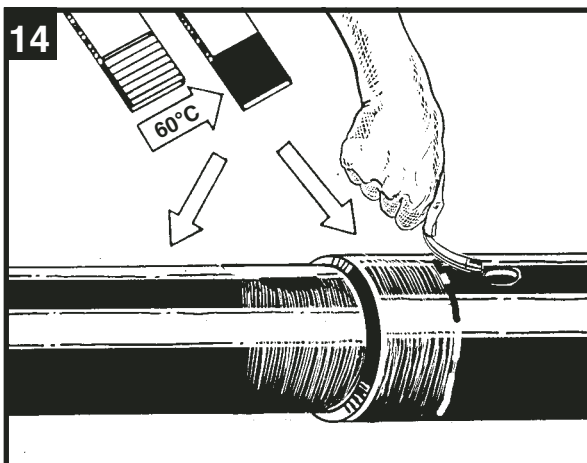
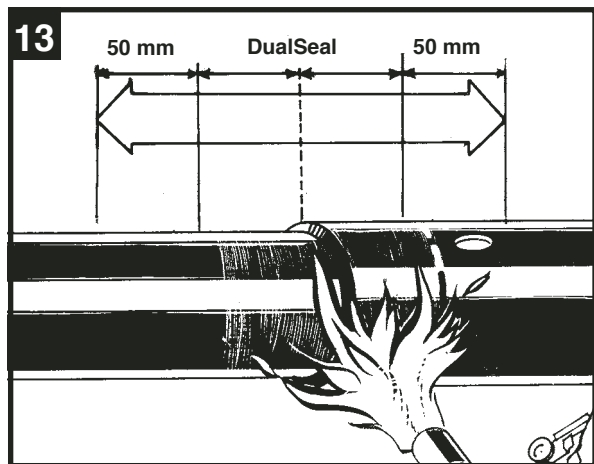
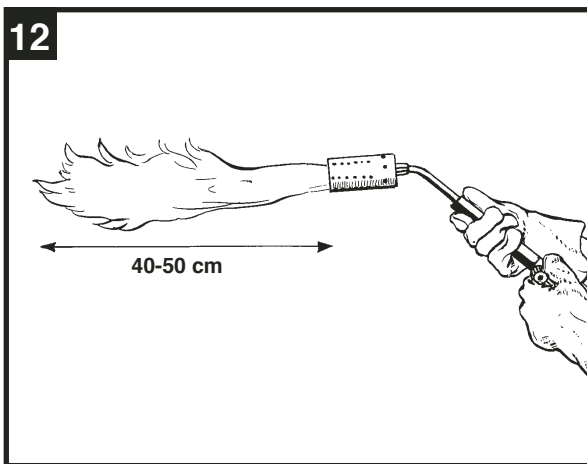
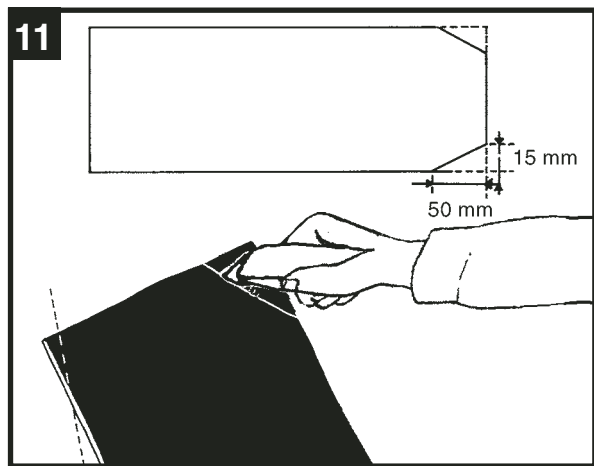
  

NOMINAL PIPE OD	DualSeal width	WPCP IV	A
90 mm - 250 mm	DualSeal 190	100 x 190	100
280 mm - 500 mm	DualSeal 255	100 x 255	132
560 mm - 800 mm	DualSeal 320	150 x 320	170
800 mm - 1200 mm	DualSeal 430	150 x 430	225

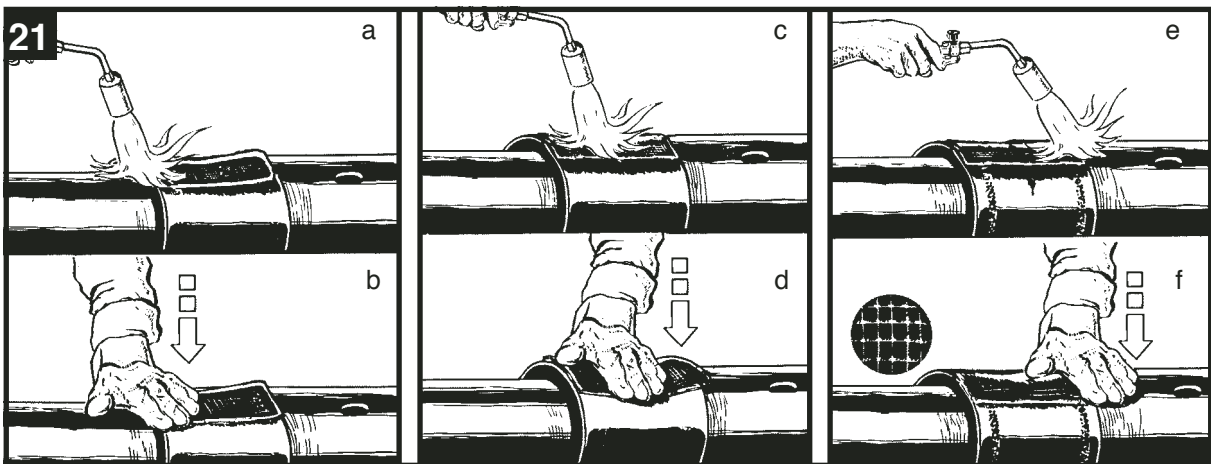
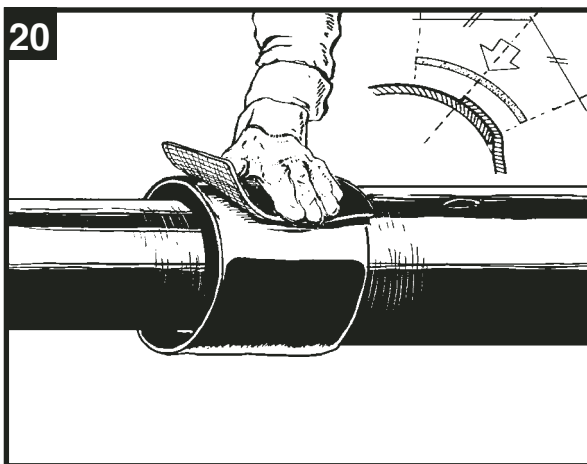
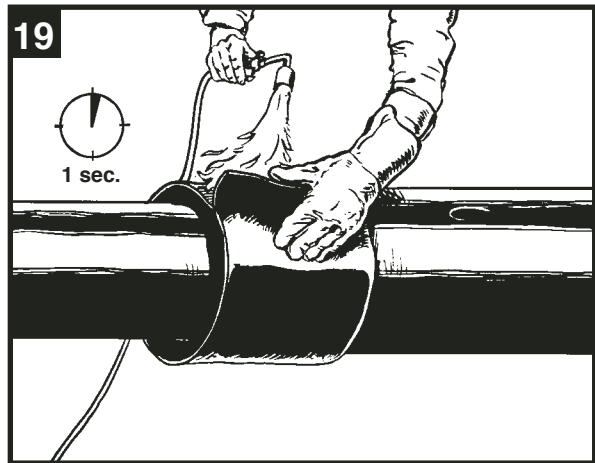
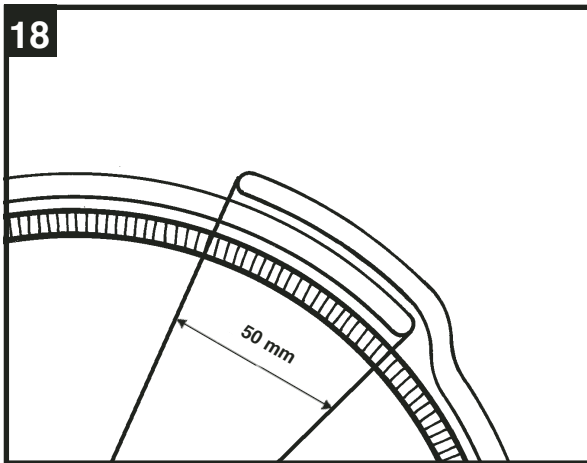
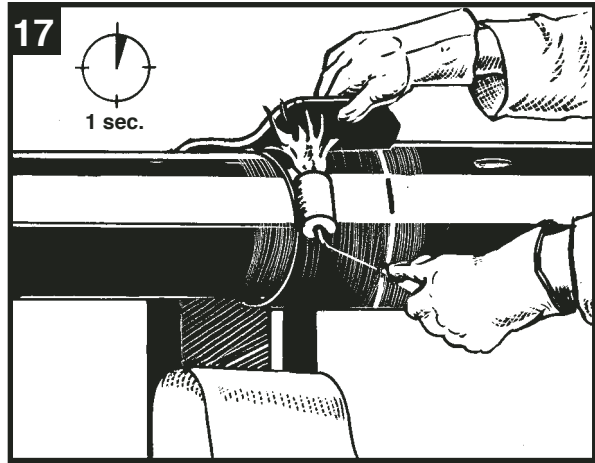
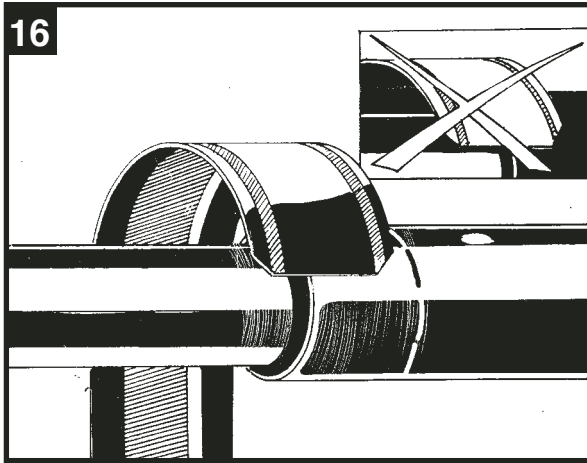
# DualSeal III 190, 255, 320, 430 WPCP IV



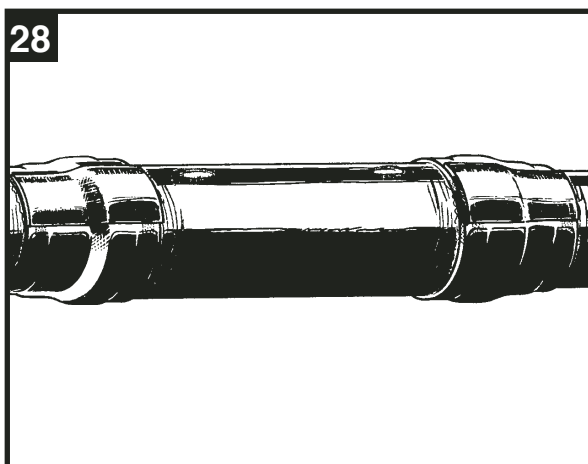
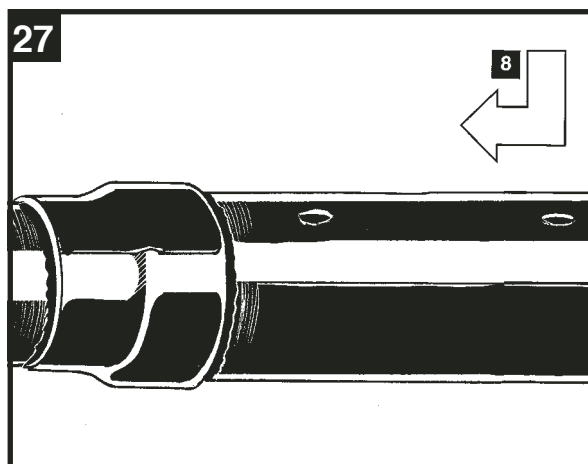
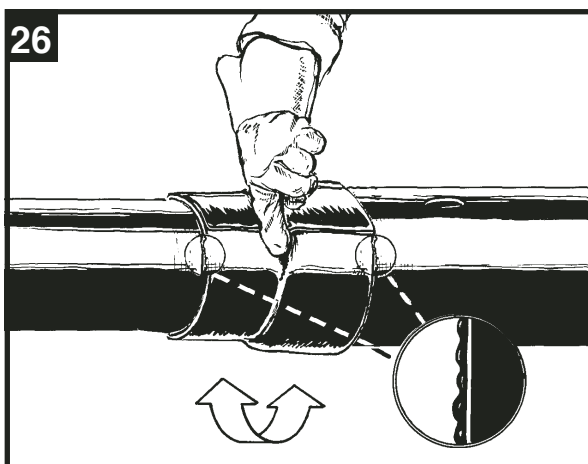
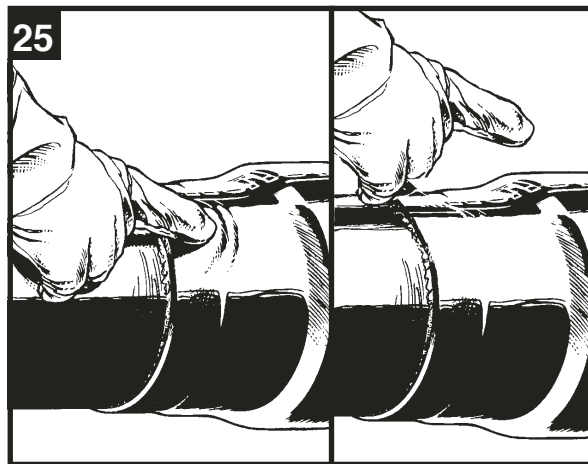
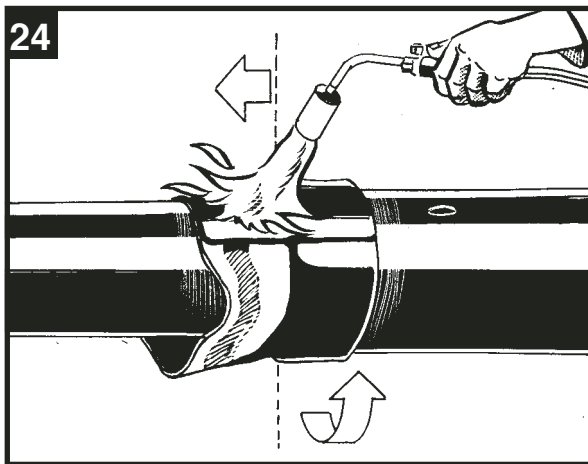
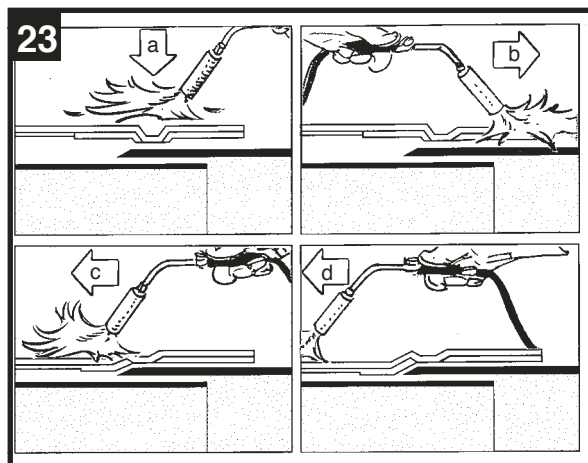
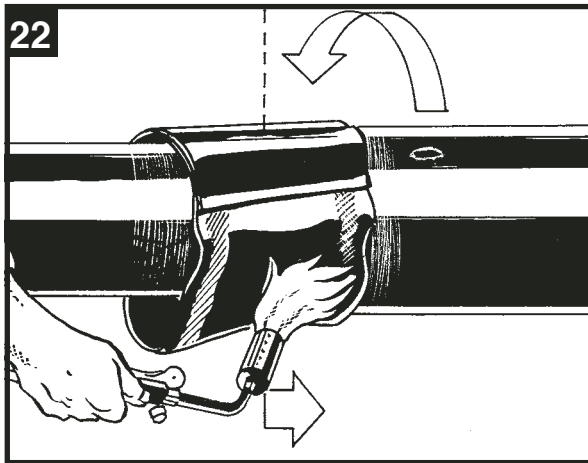
ØD	L
90-200 mm	M + 75 mm
225-500 mm	M + 100 mm
>500 mm	M + 125 mm



# DualSeal III 190, 255, 320, 430 WPCP IV



# DualSeal III 190, 255, 320, 430 WPCP IV



# DualSeal III 190, 255, 320, 430 WPCP IV

---

*\* Raychem is a trademark of Tyco Electronics Corporation and used under license by Berry Plastics.*

*Berry Plastics warrants that the product conforms to its chemical and physical description and is appropriate for the use stated on the technical data sheet when used in compliance with Berry Plastics written instructions. Since many installation factors are beyond the control of Berry Plastics, the user shall determine the suitability of the products for the intended use and assume all risks and liabilities in connection herewith. Berry Plastics liability is stated in the standard terms and conditions of sale. Berry Plastics makes no other warranty either expressed or implied. All information contained in this technical data sheet is to be used as a guide and is subject to change without notice. This technical data sheet supersedes all previous data sheets on this product.*



Local Distributor / Representative:

For contact details of local Distributors / Representatives  
Please visit [www.berrycpg.com](http://www.berrycpg.com).

Headquarters : Berry Plastics Tapes & Coatings Division, Franklin MA, USA

**Franklin, MA, USA**

Tel: +1 508 918 1714  
US Toll Free: +1 800 248 0149  
Fax: +1 508 918 1910  
CPG@berryplastics.com

**Houston, TX, USA**

Tel: +1 713 676 0085  
US Toll Free: 01 888 676 7202  
Fax: +1 713 676 0086  
CPGH@berryplastics.com

**Tijuana, Mexico**

Tel US: +1 866 9 CORROSION  
Fax US: +1 619 424 4258  
Tel Mexico: +52 664 607 0926  
Fax Mexico: +52 664 623 6463  
CPGTJ@berryplastics.com

**Aarschot, Belgium**

Tel: +32 16 55 36 00  
Fax: +32 16 55 36 74  
CPGE@berryplastics.com

**Baroda, India**

Tel: +91 2667 264721  
Fax: +91 2667 264724  
CPGIN@berryplastics.com